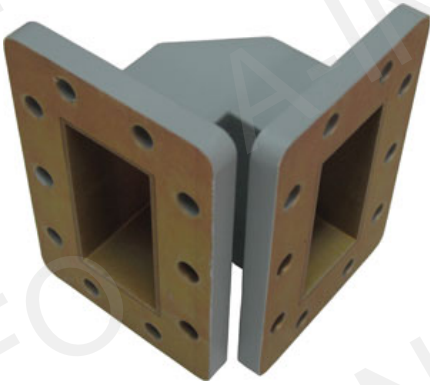
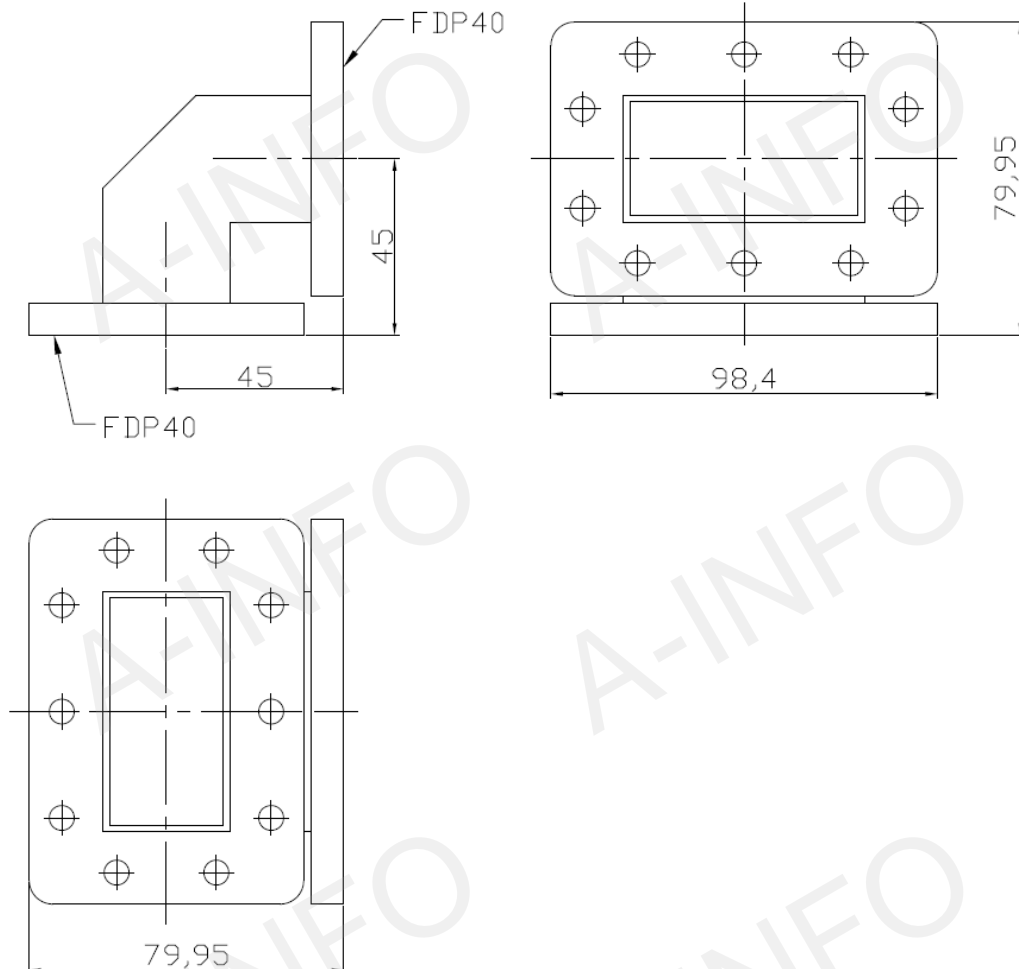


## Technical Specification

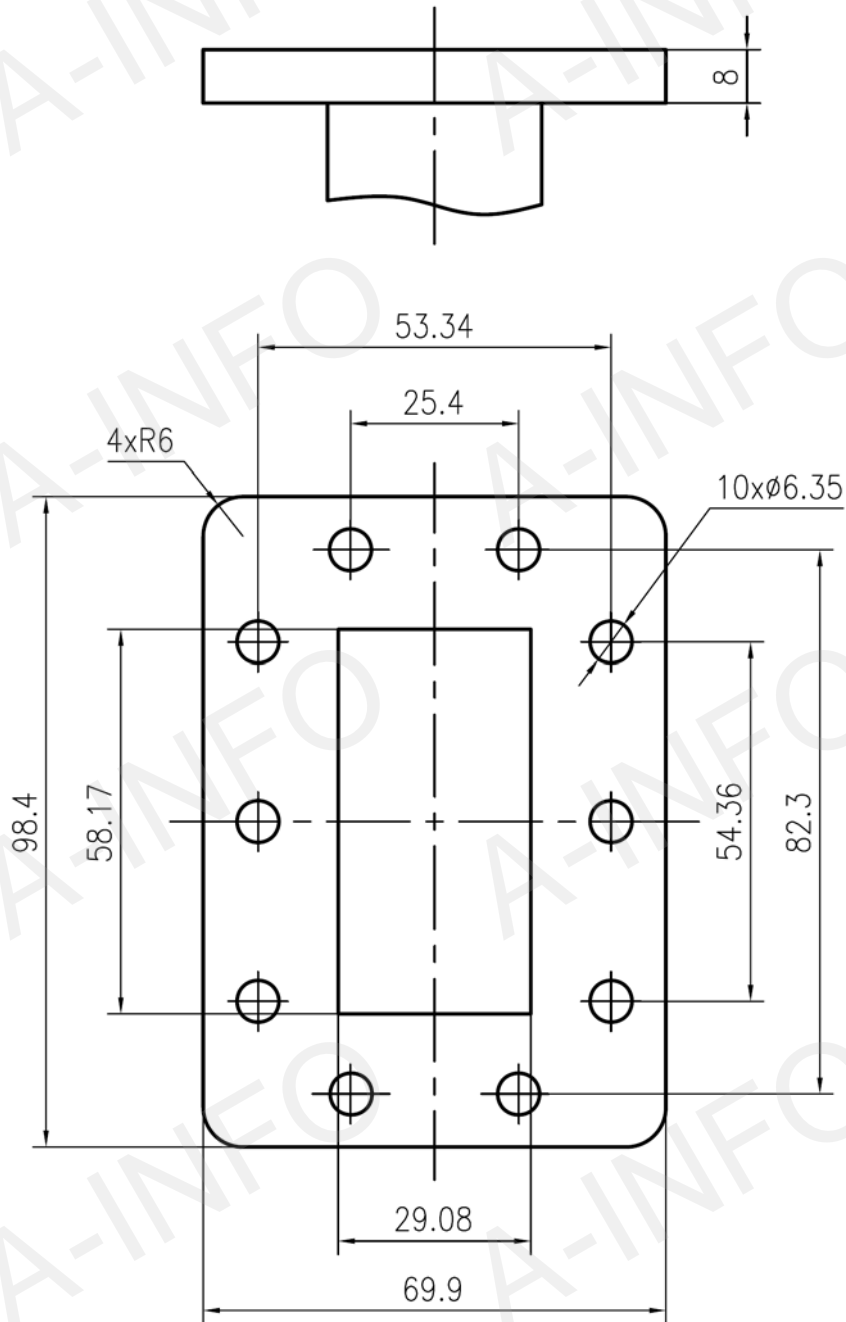


EIA WR	WR229
Frequency Range(GHz)	3.3 - 4.9
VSWR	1.20 max
Flange	FDP40
Material	Al
Size(mm)	88.1x88.1x114.3
Net Weight(Kg)	0.30 Around

## Outline Drawing (Size: mm)



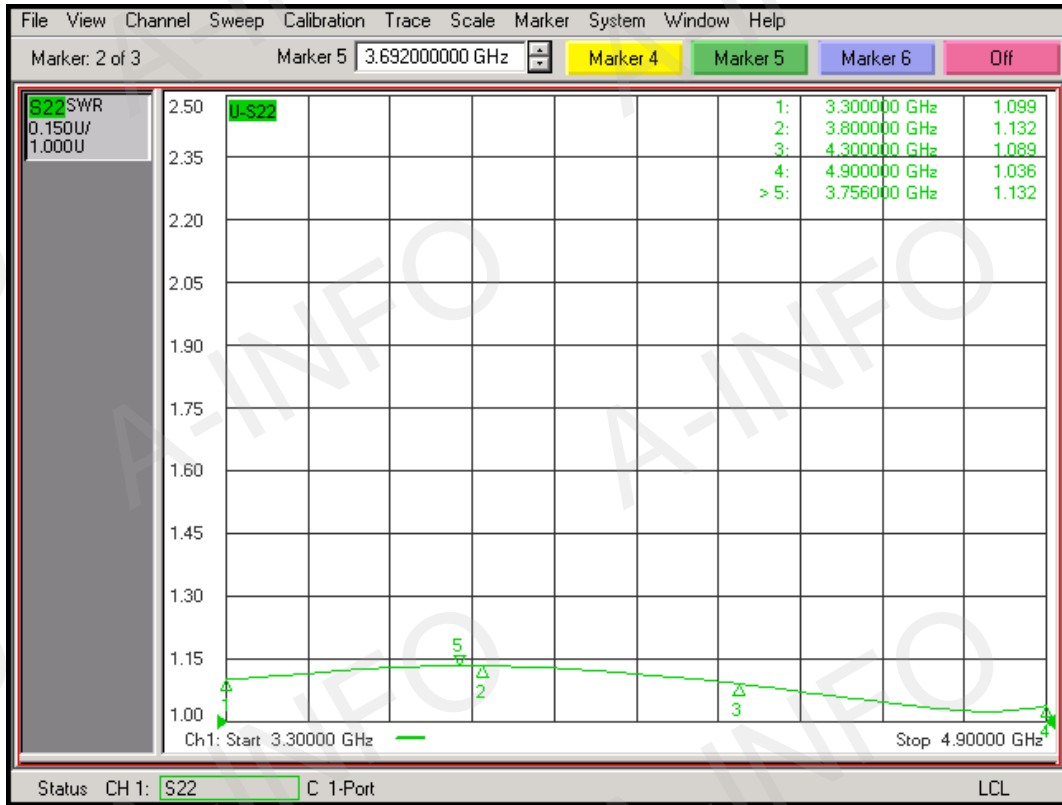
## Flange Drawing (Size: mm)



## FDP40

## Test Results

### VSWR



### Insertion Loss

